

Product Specification Sheet

LED All in One



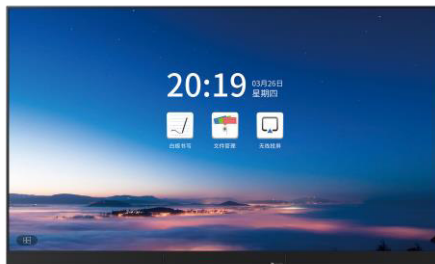
Product Model: 2K 136"LED All in One

Specifications: A136AM01AA01E

Version Number: V1.0-B

1. Product Overview

The product features an industrial aesthetic design with an overall aspect ratio of 16:9. It boasts ultra-high brightness, contrast ratio, and an ultra-wide viewing angle, delivering high-quality display effects from all angles. It supports standard high-definition 2K display. The product supports two installation methods: wall-mounted and mobile stand. With an All-in-One integrated design, it has a built-in Android operating system, wireless screen casting function, and common office software. It is suitable for application scenarios such as government agencies, public institutions, or corporate meeting rooms.



Wall-mounted Installation



Mobile Stand Installation

2. Main Functions

- 1. Customized Android 11 Desktop UI: Equipped with a large-screen-specific UI system deeply customized based on Android 11. The interface layout is concise and intuitive, with an operation logic that aligns with office habits. It features fast response speed, can be adapted to exclusive functions on demand, and avoids redundant interference.

- 2. Whiteboard Writing & Annotation Function: Supports high-precision whiteboard writing with smooth and delay-free strokes. It also allows real-time annotation on screen-cast content, documents, and images. The annotated content is clear and storable, easily meeting the interactive needs of meeting discussions and plan explanations.
- 3. Multi-platform 4-channel Wireless Screen Casting: Breaks system barriers and seamlessly supports wireless screen casting for four terminals (Windows, Mac OS, iOS, Android). It can connect up to 4 device screens simultaneously for split-screen display without mutual interference, suitable for multi-role collaborative reporting and multi-plan comparison scenarios.
- 4. Dual WiFi Mode: Supports simultaneous connection to two different WiFi networks, which can be used for data transmission and screen casting collaboration respectively. This avoids stuttering caused by single-network congestion and ensures network stability during meetings and demonstrations.
- 5. Gigabit Ethernet + Bluetooth 5.0: Equipped with a Gigabit Ethernet port for fast wired transmission, meeting the high-speed needs of large-file loading and high-definition video streaming. Bluetooth 5.0 ensures stable connection and long transmission distance, enabling quick pairing with peripheral devices such as wireless keyboards, mice, and headsets to reduce cable clutter.
- 6. Flexible Image Quality Adjustment: Supports manual adjustment of parameters such as brightness, contrast, and color saturation. It can optimize the image effect according to ambient light and displayed content (e.g., PPT, videos) to ensure clear visibility.
- 7. One-Click Eye Protection Mode: No complicated settings are required; just one click to switch to eye protection mode. It effectively filters blue light and reduces eye irritation caused by long-term viewing, suitable for long meetings and training scenarios.
- 8. Full-Scenario Conference Peripheral Support: Compatible with mainstream conference peripheral devices such as cameras, professional audio systems, and laser pointers. It supports plug-and-play, enabling quick setup of an office environment for high-definition video conferences and immersive audio playback to improve meeting quality.
- 9. OPS Host Interface + Dual System Configuration: Reserves an OPS host expansion

interface, supporting external OPS modules to realize Windows and Android dual-system switching. Users can flexibly select the system according to office needs (e.g., running professional software, simple demonstrations) to adapt to more application scenarios.

- 10. IR Remote Control for Standby & Wake-up: Supports remote control of device standby and wake-up via IR remote control, eliminating the need for manual operation and ensuring convenience and efficiency. The device automatically enters low-power mode during standby to reduce energy consumption, balancing practicality and energy efficiency.

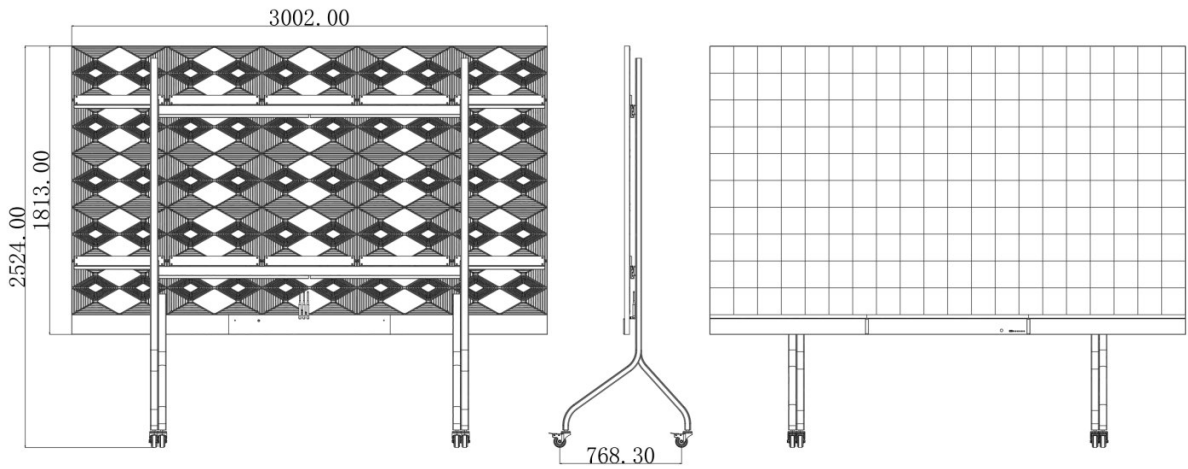
3. Specification Parameters

Specifications	A136AM01AA01E	
Physical Parameter	Size (inch)	136"
	Pixel Pitch (mm)	1.56
	Aspect Ratio	16:9
	Resolution	1920x1080
	Display Area (m ²)	5.06
	Dimension (W×H×D, mm)	3000x1687x37
	Flatness (mm)	≤0.15
	Net Weight (kg)	≤140
	Material	Die-cast aluminum
	Frame Material/Color	Aluminum Profile/Dark Gray
	Maintenance Method	Front
	Installation Method	Wall-mounted, Mobile Stand (Optional)
	Warranty Period	1 year
Optical Parameter	LED Type	COB
	Lifespan (Hrs)	100000
	Viewing Angle (H/V, °)	160°/160°
	Calibration-related Parameter	≤0.03
	Brightness (nit)	500
	Single Dot Brightness Calibration	Supported
	Brightness Uniformity	≥97%
	Refresh Rate (Hz)	≥3840
	Frame Rate (Hz)	30~60
	Color Depth (bit)	13~14

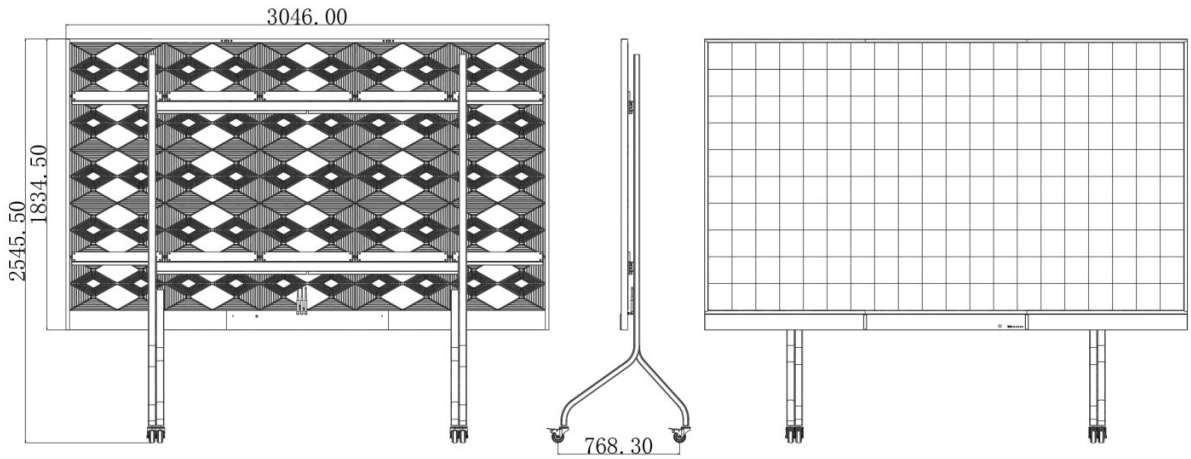
	Contrast Ratio	8000:1
	Color Temp (K)	3200-9300
	Single Dot Color Calibration	Supported
	Precision-related Parameter	±0.003
System Parameter	Operating System	Andriod11.0
	Storage	RAM:4+ROM:32
	Interface	HDMI1.3 IN x1/HDMI 1.3 OUT x1/SPDIFx1/AUDIOx1/USB2.0x2/RJ45x1
	WiFi	2.4G (for Internet access), 5G (for screen casting)
	Bluetooth Version	5
	Remote Control Support	Supported
	One-touch Switch Function	Supported
	Power On/Off & Standby Function	Supported
	OPS Configuration	Optional External
Audio	Speaker	Built-in
	Speaker Power	60W
Screen Casting Parameter	Screen Casting Software	Built-in
	Compatible Systems	PC、iOS、 OS、 android5.0+
	Resolution & Frame Rate	1920x1080@60
	Operation Mode	Plug-and-Play, One-Click Screen Casting
	Pairing Method	Bluetooth, Network
Operating Parameter Certification	Power Supply	AC100V~240V, 50/60Hz
	Standby Power Consumption (W)	1.2
	Power Consumption (W)(Max/Average)	≤3400/≤1020
	Operating/storage temperature range(°C)	-10°C+45°C/-20°C+50°C
	Working/Storage Humidity Range(RH)	10~65RH/10~70RH (No Condensation)
	Certifications	3C, Energy-saving

*The above product parameters are for reference only. Due to variations in materials and production batches, the luminance of LED beads may have a 5%-8% deviation. Actual parameters are subject to the final order and confirmed requirements from customers. Product information may be updated without prior notice.

4. Outline Dimensional Drawing



Regular Edge-wrapped Version



Infrared Touch Version